



Interchangeable with
Model TH-2VA

SPEC SHEET
PX02-I-HEAD

HIGH ACCURACY PRESSURE TRANSMITTER

Lightning Protected Amplifier Housing

\$650
Model Shown

PX02 SERIES
4-20 mA Output
0-2 to 30,000 psi
0-150 mbar to 0-2000 bar

1 bar = 14.5 psi
1 kg/cm² = 14.22 psi
1 Atmosphere = 14.7 psi = 29.93 in-Hg = 760.2 mm-Hg = 1.014 bar

- High Accuracy
- FM/CSA Intrinsically Safe - Standard
- All Stainless Steel Construction
- Hermetically Sealed Double Diaphragm Design for Harsh Environments
- Available in Gage, Absolute, Sealed Gage, psi and Metric Ranges
- Optional Pressure Ports to Fit Most Industrial Applications

For Sales and Service
In U.S.A. and Canada

1-800-872-3963SM
1-800-USA-DYNE

International Customers Dial
(614) 965-9340
24-Hour FAX (614) 965-9438

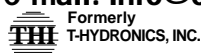
OMEGADYNESM FAX

OMEGADYNE's 24-Hour
On-Line Publishing Service

1-800-344-3963SM
1-800-DIG-DYNE

Document # 3658

OMEGADYNE, Inc.
149 Stelzer Court, Sunbury, OH 43074
<http://www.omegadyne.com>
e-mail: info@omegadyne.com



© COPYRIGHT 1996 OMEGADYNE, INC. ALL RIGHTS RESERVED.



► Most Popular Models Highlighted ◀

Prices Shown in U.S. Dollars

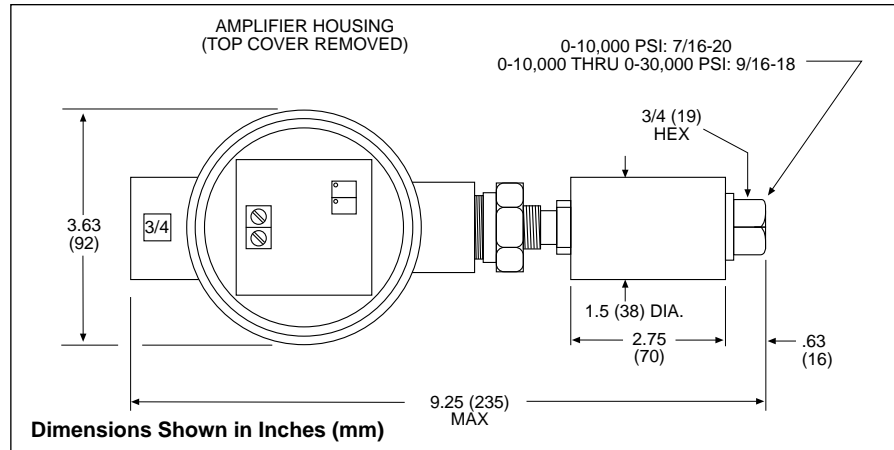
To Order: (Specify Model Number)			
Models with 1/16-20 Connection / Amplifier Housing			
Range (psi)	Model Number	Price	Compatible Meters
Absolute Pressure (All Ranges Available in Absolute Pressure)			
0-10	PX02K5-010AI	\$725	INFP, INFCP, IDP
0-15	PX02K5-015AI	725	INFP, INFCP, IDP
0-20	PX02K5-020AI	725	INFP, INFCP, IDP
0-25	PX02K5-025AI	725	INFP, INFCP, IDP
0-50	PX02K5-050AI	725	INFP, INFCP, IDP
Gage Pressure (All Ranges Also Available in Sealed Gage Pressure)			
0-2	PX02K5-002GI	715	INFP, INFCP, IDP
0-5	PX02K5-005GI	715	INFP, INFCP, IDP
0-10	PX02K5-010GI	715	INFP, INFCP, IDP
0-15	PX02K5-015GI	715	INFP, INFCP, IDP
0-50	PX02K5-050GI	715	INFP, INFCP, IDP
0-75	PX02K5-075GI	650	INFP, INFCP, IDP
0-100	PX02K5-100GI	650	INFP, INFCP, IDP
0-200	PX02K5-200GI	650	INFP, INFCP, IDP
0-300	PX02K5-300GI	650	INFP, INFCP, IDP
0-500	PX02K5-500GI	650	INFP, INFCP, IDP
0-1000	PX02K5-1KGI	650	INFP, INFCP, IDP
0-1500	PX02K5-1.5KGI	650	INFP, INFCP, IDP
0-2000	PX02K5-2KGI	650	INFP, INFCP, IDP
0-3500	PX02K5-3.5KGI	650	INFP, INFCP, IDP
0-5000	PX02K5-5KGI	650	INFP, INFCP, IDP
0-7500	PX02K5-7.5KGI	650	INFP, INFCP, IDP
0-10,000**	PX02S5-10KGI	750	INFP, INFCP, IDP
0-20,000**	PX02S5-20KGI	750	INFP, INFCP*, IDP*
0-30,000**	PX02S5-30KGI	750	INFP, INFCP*, IDP*

* 4 digit meter counts in increments of 10. ** 1/4 HP Tube Fitting
Interchangeable with Model TH-2VA Metric Ranges Available - Consult Engineering
For Absolute Pressure replace "G" in model number with "A" (no charge unless indicated)
For Sealed Gage Pressure replace "G" in model number with "S" (no charge unless indicated)
Ordering Examples: 1.) **PX02K5-1KGI** is a 1,000 psi gage transducer with 4-20 mA output, Amplifier Housing Connections and 1/16-20 female pressure connection, \$650.
2.) **PX02K5-015AI** is a 15 psi Absolute transducer with 4-20 mA output, Amplifier Housing Connections and 1/16-20 female pressure connection, \$725.



The OMEGADYNE^a PX02 Series are high accuracy, industrial pressure transmitters. All stainless steel construction and hermetically sealed case makes the PX02 suitable for harsh industrial environments. FM/CSA Intrinsically Safe approvals are standard. A broad temperature compensated range of 16 to 71°C (60 to 160°F), high operating range to 121°C (250°F) and excellent temperature compensation make this transducer very stable for applications with fluctuating temperatures.

The PX02 is available in gage, absolute or sealed models as well as PSI or metric ranges.



SPECIFICATIONS: 4-20 mA Output Electrical:

Excitation: 12 - 40 V dc

Output: 4-20 mA ±10% adj

Zero Balance: 4 mA +10% -2% adj

Agency Approvals: FM/CSA Intrinsically Safe IS/II.III.IV/1/CDEFG Standard

Performance:

Accuracy Class: 0.15%

Linearity: ±0.15% FSO

Hysteresis: ±0.15% FSO

Repeatability: ±0.15% FSO

Sensing Element: 4 active-arm bridge, using thick film strain gages in a hermetically sealed double diaphragm chamber

Environmental:

Operational Temp Range: -46 to 121°C (-50 to 250°F)

Compensated Temp Range: 16 to 71°C (60 to 160°F)

Thermal Effects: Span 0.0045% of Rdg/°F Zero: 0.005% of FSO/°F

Pressure:

Ranges (PSI):

2,5,10,15,20,25,50,75,100,150,200, 250,300,500,750,1K,1.5K,2K,3K,3.5K, 5K,7.5K,10K,20K,30K

Proof Pressure:

150% of rated pressure

Burst Pressure:

300% of rated pressure

Mechanical:

Wetted Parts: 17-4PH SS

Pressure Port: Ranges <10000 PSI: 7/16-20 UNF-2A Female. Also Available:

1/4-18 NPT M/F, 7/16-20 UNF-2A Male, Ranges 10000-30000 PSI: 9/16-18, 1/2 HP tube

Electrical Connection: Lightening protected Explosion-proof Amplifier Box. Also available: 3 ft (1m) 6-conductor cable or PT1H-10-6P or equal

CUSTOM CONFIGURATIONS

SERIES PX02	PRESSURE PORT [1]	ELECTRICAL CONNECTION [2]	RANGE (PSI) [3]	UNITS [4]	OUTPUT [5]	OPTIONS [6]
Models < 10,000 psi			002*	S,G,A	V = mV/V Output	FM = FM Hazardous
C = 1/4-18 NPT-M			005*	S,G,A	Base Price	Location - +\$150
D = 1/4-18 NPT-F			010	S,G,A	5T = 0 to 5Vdc Output	mV/V models
J = 7/16-20 UNF-M			015	S,G,A	+\$155 all ranges	only
K = 7/16-20 UNF-F			020	S,G,A	5Z = Isolated 0 to 5 Vdc	OL = Overload Stops
Models ≥ 10,000 psi			025	S,G,A	Output +\$190 all ranges	+\$45
S = 1/2 HP Tube Fitting			050	S,G,A	10T = 0 to 10 Vdc Output	OX = Cleaned for
no charge			075	S,G,A	+\$155 all ranges	Oxygen use
	0 = 10ft cable (std)		100	S,G,A	I = 4 to 20mA Output	+\$75 & 2 weeks
	+\$2/ft over 10 ft		150	S,G,A	+\$175 all ranges	
	1 = PT1H-10-6P Connector		200	S,G,A		
	(or equal) (no charge)		250	S,G,A		
	Mating Connector not in-		300	S,G,A		
	cluded, order PT06F-10-6S		500	S,G,A		
	\$26.50		750	S,G,A		
	5 = Lightening protected		1K	S,G,A		
	Amplifier Box (no charge)		1.5K	S,G,A		
	(4-20mA models only)		2K	S,G,A		
			3K	S,G,A		
			3.5K	S,G,A		
			5K	S,G,A		
			7.5K	S,G,A		
			10K	S,G,A		
			20K	S,G,A		
			30K	S,G,A		

* 2 and 5 psi Ranges available only on amplified output
Supplied with 1/4 HP Tube Fitting

To Order a Custom Configuration:

1. Select a Pressure Port
2. Select Electrical Connection
3. Select a Pressure Range
4. Select Pressure Units
5. Select Output
6. Select Options and Agency Approvals

Interchangeable with Model TH-2VA

Metric Ranges Available - Consult Engineering

Ordering Examples: 1.) **PX02C1-100GI** is a 100 psi Gage Pressure transducer with a 1/4-18 NPT-Male fitting, a PT1H-10-6P Connector, and 4-20 mA output, \$475+175+19 = **\$669**. To order Mating Connector (not included) **PT06F-10-6S, \$26.50**.

2.) **PX02K0-1K5S5Z** is a 1,000 psi Sealed Gage Pressure transducer, with a 7/16-20 UNF-Female fitting, a 10 ft (3m) cable, and Isolated 0 to 5 output, \$475+190 = **\$665**.

3.) **PX02J1-015A5T** is a 15 psi Absolute Pressure transducer with, a 7/16-20 UNF-Male fitting, PT1H-10-6P Connector, and a 0 to 5 Vdc output, \$540+155+19 = **\$714**. To order Mating Connector (not included) **PT06F-10-6S, \$26.50**.

4.) **PX02K1-025GV-FM** is a 25 psi Gage Pressure transducer, with a 7/16-20 UNF-Female fitting, PT1H-10-6P Connector, mV/V output, and Factory Mutual Hazardous Locations rating, \$540+150 = **\$690**.